



**Jetronics India**, established as manufacturers of connectors in 1985, has grown into a leading producer and exporter of MIL C 5015 grade electrical connectors and related accessories.

Jetronics India's continuing mission is to focus on quality connectors, high level of services, cost effectiveness, innovative solutions that satisfy interconnect needs of customers while exceeding their expectations.

**Products**

**Circular Threaded Coupling Connectors**

These connectors are thread coupled and are in conformity to operating requirements of MIL C 5015 specifications for various industrial applications, these connectors are known for their supreme reliability, high power carrying capacity, their inherent ruggedness and capacity to withstand extreme environmental conditions. Different insert layouts as per MIL STD 1651A and different contact sizes allow carrying of current upto 150 amps. The standard MIL C 5015 insert layouts permit mixing of power and signal contacts.



**Reverse Bayonet Coupling Connectors**

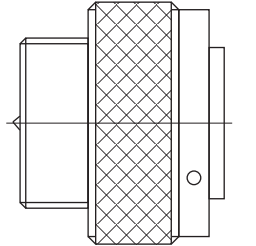
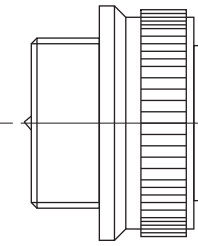
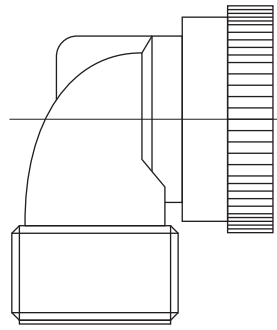
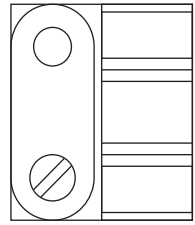
These connectors have identical insert arrangements as threaded coupling connectors but differ as to coupling which is bayonet type offering improved moisture sealing, faster more positive coupling and uncoupling and improved vibration resistance, these connectors are intermateable with VG 95234 and 121B connectors.



**CONTENTS**

Introduction . . . . . 1  
 Connector Styles with Class . . . . . 2-3  
 Features & Applications . . . . . 4  
 Specifications . . . . . 5  
 Insert Arrangements . . . . . 6-10  
 Alternate Insert Arrangements . . . . . 11  
 Dimensional Details - Circular Threaded Coupling Connectors . . . . . 12-13  
 Dimensional Details - Reverse Bayonet Coupling Connectors . . . . . 14 -15  
 Cap Accessories . . . . . 16-17  
 Other Accessories . . . . . 18-19  
 Ordering Information . . . . . 20

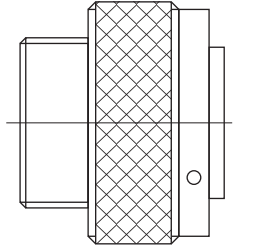
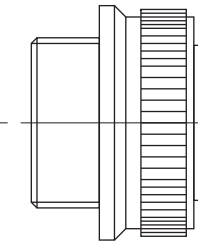
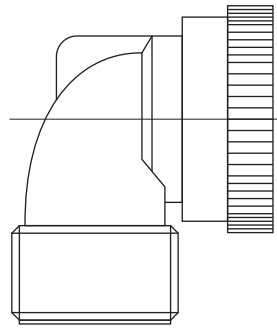
**Class F  
(Class R w/o  
cable clamp)**



**JI 3108**

**RB 3108**

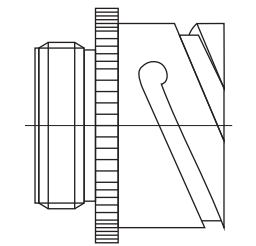
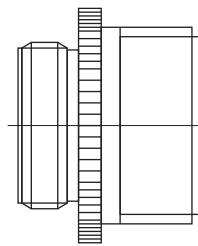
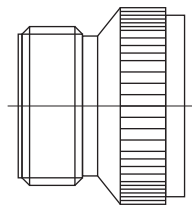
**Class A**



**JI 3106**

**RB 3106**

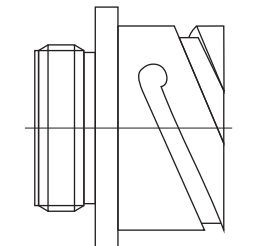
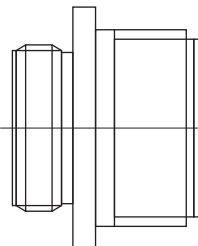
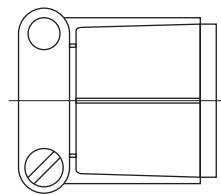
**Class A**



**JI 3101**

**RB 3101**

**Class F  
(Class E w/o  
'O' Ring)**



**JI 3100**

**RB 3100**

**Cable  
Clamp**

**Backshell**

**Grommet  
Sleeve**

**Grommet**

**JI 3102  
Class R only**

**RB 3102  
Class R only**

**Connector features**

**Light Weight and Rugged Shell**

These connectors are made of Aluminium alloy resulting into a rugged connector with minimal weight.

**Environmental Resistance**

These are corrosion-proof vibration proof and also resistant to heavy condensed atmosphere.

**High Current Carrying Capacity**

These connectors can carry upto 150 amperes and 3 KV, depending upon the connector size and insert arrangements.

**Resilient Insulator and Grommet**

Insulators and grommets are made in polychloroprene making them resilient to varying environmental conditions.

**Wide Varieties of Contact are available**

High reliability machined contacts with silver or gold plating are available in sizes 16 through 0, to accommodate wire guages from 16 to 0 SWG.

**Multi Contacts are available**

Different insert layouts permit multi pin arrangements up to 52 pins.

**Applications**

**These Connectors are served in the following industries and application:**

- |                        |                        |                                  |
|------------------------|------------------------|----------------------------------|
| Military               | Lighting Industry      | Hydraulic Systems                |
| Medical                | Engine Manufacturing   | Welding Machines                 |
| Aerospace              | Machine Manufacturing  | Motion Control Systems           |
| Telecommunication      | Radar                  | Landing Gear Systems             |
| Transportation         | Sensors                | Test Equipment                   |
| Network Communications | Transducers            | Power Generators                 |
| Process Control        | Fueling Systems        | Earth Moving Equipment           |
| Heavy Equipment        | Fire Detection Systems | Advanced Scientific Applications |

**MATERIALS AND FINISH SPECIFICATIONS**

- Shell Material** : Aluminium Alloy
- Insulator & Grommet** : Polychloroprene
- Contacts** : Copper Alloy
- Plating – Contacts** : Silver / Gold or Nickel (Optional)
- Plating – Shells** : Cadmium Plated With Olive Drab Chromate Finish

**PERFORMANCE SPECIFICATIONS**

- Current Rating** : Up to 150 amperes (Depending upon the contact size and arrangement)
- Wire Termination** : Solder / Crimp
- Working Voltage** : 200 to 3000 V AC (Depending upon the contact size and arrangement)
- Insulation Resistance** : 5000 M Ω min. at 500 V DC
- Temperature Range** : -55°C to +125°C

**CONTACT RATING**

Contact Size	Max. Current	Rated Current	Test Current	Potential Drop mV max.
16	22 A	13 A	20 A	49
12	41 A	23 A	35 A	42
8	73 A	46 A	60 A	26
4	135 A	80 A	110 A	23
0	245 A	150 A	200 A	21

**SERVICE RATING**

Service Rating	Operating V DC at Sea Level	Operating V AC at Sea Level	Air Spacing Nom. (Inches)	Creepage Distance Nom. (Inches)
Inst.	250 V	200 V	-	1/16
A	700 V	500 V	1/16	1/8
D	1250 V	900 V	1/8	3/16
E	1750 V	1250 V	3/16	1/4
B	2450 V	1750 V	1/4	5/16
C	4200 V	3000 V	5/16	1

**DIELECTRIC STRENGTH**

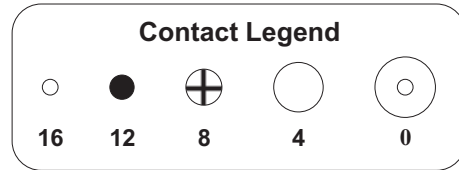
Service Rating	Min. Flash over Voltage V AC rms	Test Voltage V AC rms
Inst.	1400 V	1000 V
A	2800 V	2000 V
D	3600 V	2800 V
E	4500 V	3500 V
B	5700 V	4500 V
C	8500 V	7000 V

**COMPATIBLE WIRE SIZE**

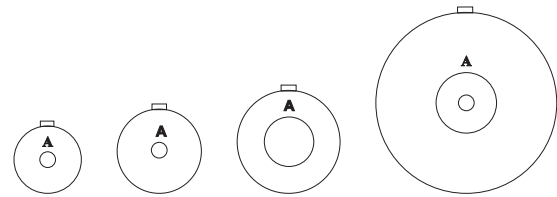
Contact		Applicable Wire Size	
Size	Solder Pot diameter (mm)	Wire Size (AWG)	Conductor cross-section area (max.)
16	1.85	16 ~ 22	1.25 mm <sup>2</sup>
12	2.95	12 ~ 14	3.50 mm <sup>2</sup>
8	5.31	8 ~ 10	8.00 mm <sup>2</sup>
4	8.45	4 ~ 6	22.00 mm <sup>2</sup>
0	11.91	0 ~ 2	50.00 mm <sup>2</sup>



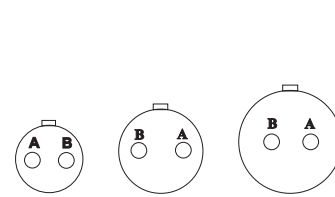
Front face of pin insert or rear of socket insert shown.



**1**

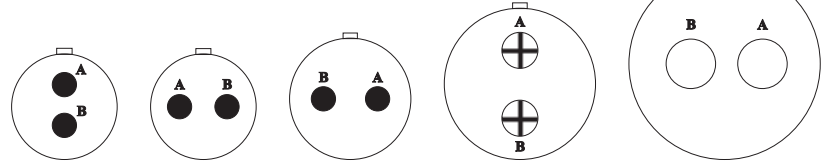


**2**



Insert Arrangement	10S-2	14S-4	16-12	22-7	10SL-4	14S-9	16S-4
No. Of Contacts	1	1	1	1	2	2	2
Contact Size	16	16	4	0	16	16	16
Service Rating	A	D	A	E	A	A	D

**2**

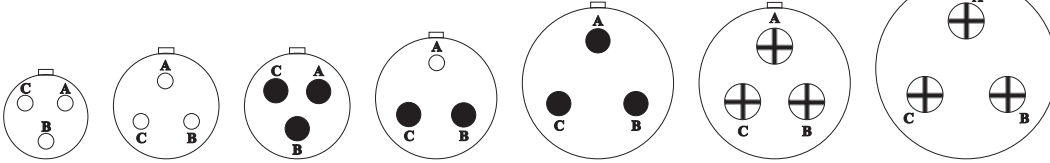


**3**



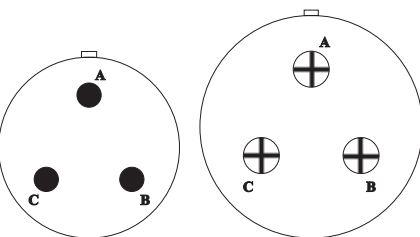
Insert Arrangement	16-11	16-13	18-3	20-23	24-9	10SL-3
No. Of Contacts	2	2	2	2	2	3
Contact Size	12	12	12	8	4	16
Service Rating	A	A	D	A	A	A

**3**

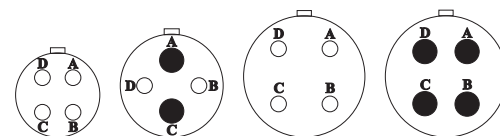


Insert Arrangement	14S-7	16S-5	16-10	18-5	20-3	20-19	22-2
No. Of Contacts	3	3	3	3	3	3	3
Contact Size	16	16	12	1#16, 2#12	12	8	8
Service Rating	A	A	A	D	D	A	D

**3**



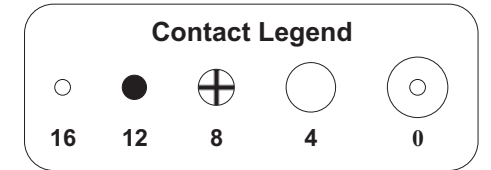
**4**



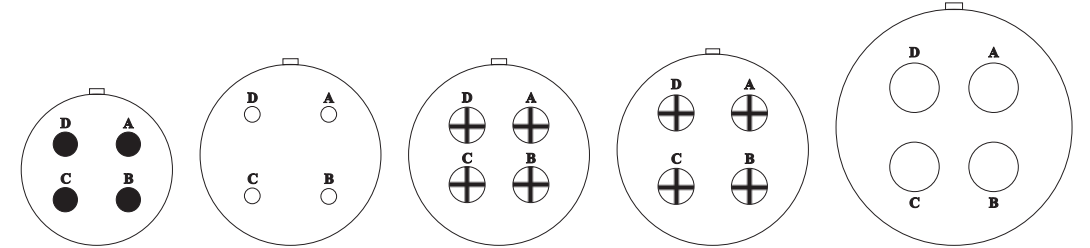
Insert Arrangement	22-9	28-3	14S-2	16-9	18-4	18-10
No. Of Contacts	3	3	4	4	4	4
Contact Size	12	8	16	2#16, 2#12	16	12
Service Rating	E	E	INST.	A	D	A



Front face of pin insert or rear of socket insert shown.

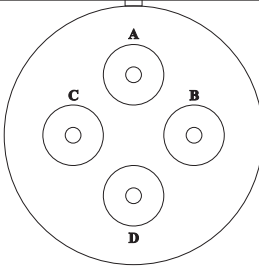


**4**

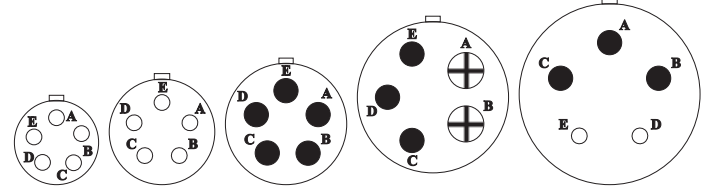


Insert Arrangement	20-4	22-10	22-22	24-22	32-17
No. Of Contacts	4	4	4	4	4
Contact Size	12	16	8	8	4
Service Rating	D	E	A	D	D

**4**

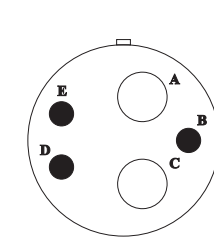


**5**

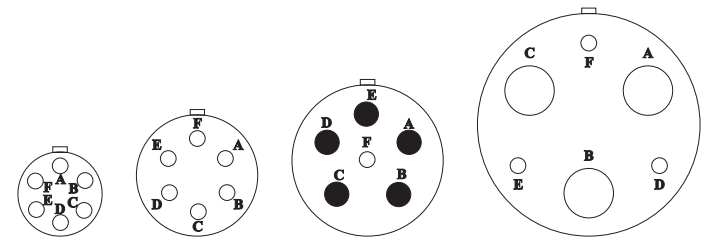


Insert Arrangement	36-5	14S-5	16S-8	18-11	20-14	22-34
No. Of Contacts	4	5	5	5	5	5
Contact Size	0	16	16	12	3#12 2#8	2#16, 3#12
Service Rating	A	INST.	A	A	D	D

**5**

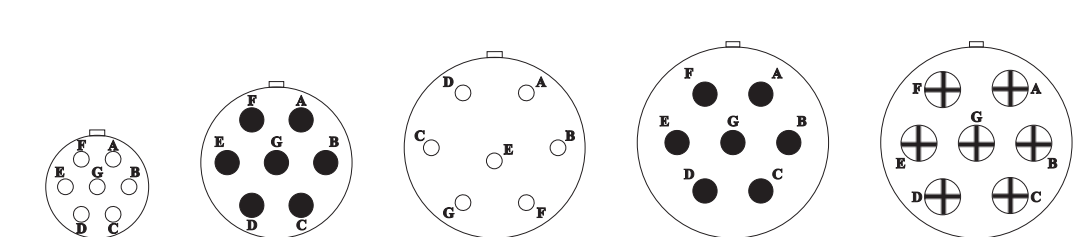


**6**



Insert Arrangement	24-12	14S-6	18-12	20-17	28-22
No. Of Contacts	5	6	6	6	6
Contact Size	3#12, 2#4	16	16	1#16, 5#12	3#16, 3#4
Service Rating	A	INST.	A	A	D

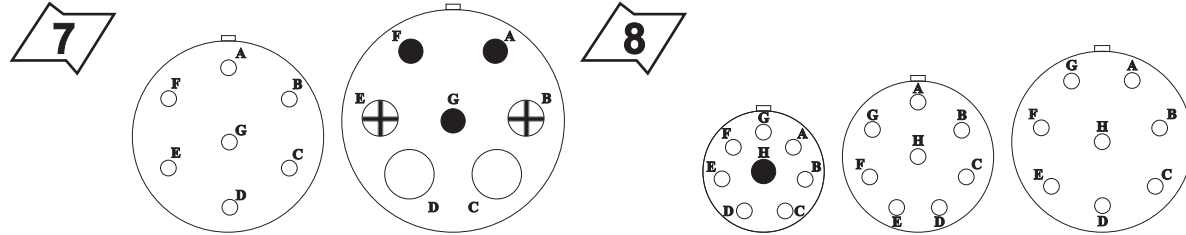
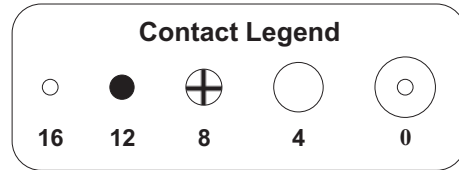
**7**



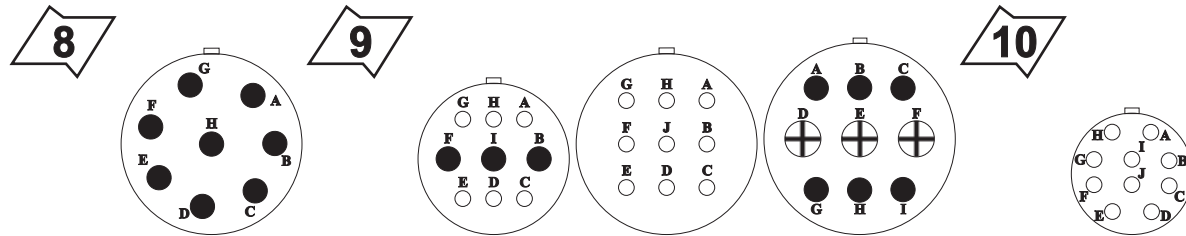
Insert Arrangement	16S-1	20-15	22-33	24-2	24-10
No. Of Contacts	7	7	7	7	7
Contact Size	16	12	16	12	8
Service Rating	A	A	ABCD=D, EFG=A	D	A



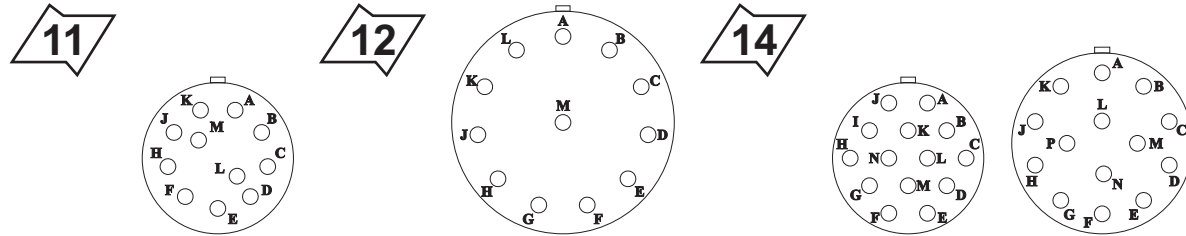
Front face of pin insert or rear of socket insert shown.



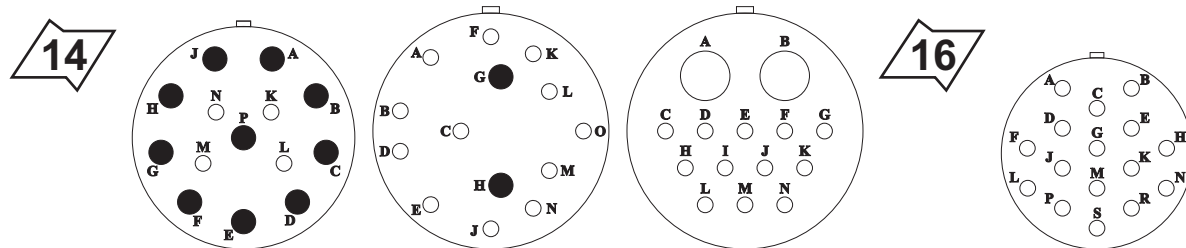
Insert Arrangement	24-27	28-10	18-8	20-7	22-18
No. Of Contacts	7	7	8	8	8
Contact Size	16	3#12, 2#8, 2#4	7 #16, 1 #12	ABGH=D, CDEF=A	ABFGH=D, CDE=A
Service Rating	E	G=D, BAL=A	A		



Insert Arrangement	22-23	20-18	22-20	24-11	18-1
No. Of Contacts	8	9	9	9	10
Contact Size	12	6#16 3#12	16	6 #12, 3 #8	16
Service Rating	H=D, Bal.=A	D	A	A	BCFG=A, BAL=INST



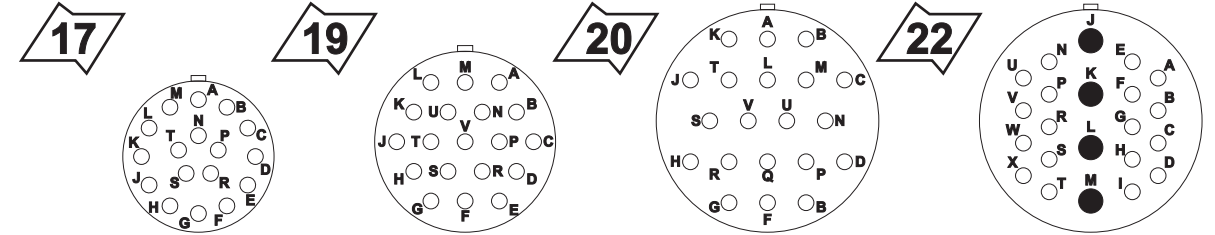
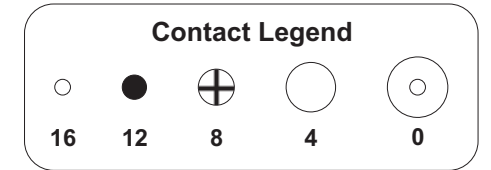
Insert Arrangement	20-33	28-18	20-27	22-19
No. Of Contacts	11	12	14	14
Contact Size	16	16	16	16
Service Rating	A	M=C, GHJKL=D, AB=A, Bal=Inst	A	A



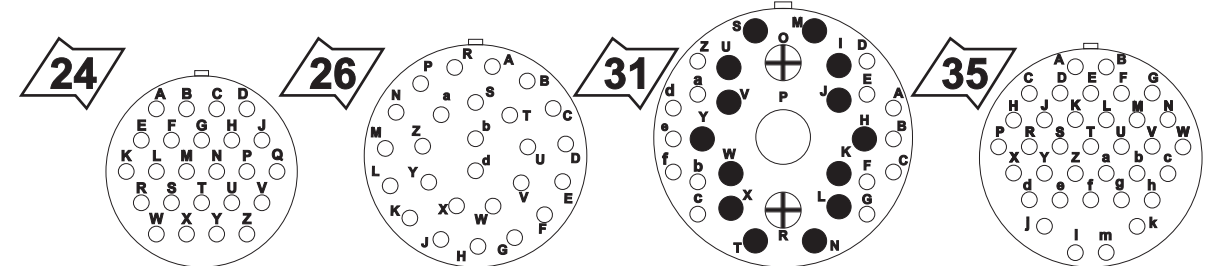
Insert Arrangement	28-20	32-4	32-9	24-5
No. Of Contacts	14	14	14	16
Contact Size	4#16, 10#12	12#16, 2#12	12#16, 2#4	16
Service Rating	A	FJKN=A, BAL=D	D	A



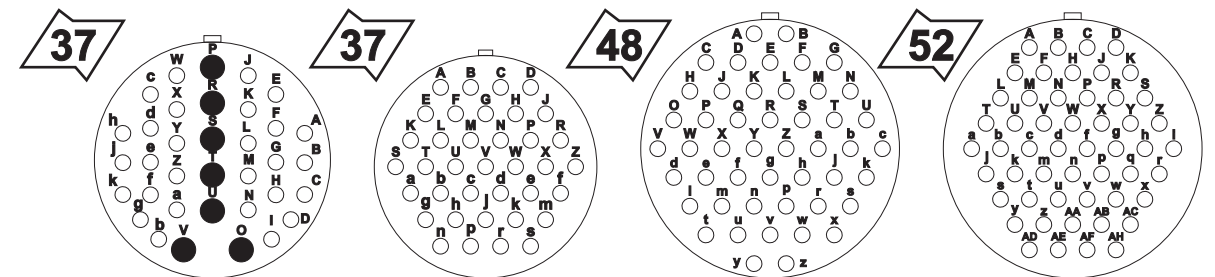
Front face of pin insert or rear of socket insert shown.



Insert Arrangement	20-29	22-14	28-16	28-11
No. Of Contacts	17	19	20	22
Contact Size	16	16	16	18#16, 4#12
Service Rating	A	A	A	A



Insert Arrangement	24-28	28-12	36-9	28-15
No. Of Contacts	24	26	31	35
Contact Size	16	16	14#16, 14#12, 2#8, 1#4	16
Service Rating	INST.	A	A	A



Insert Arrangement	32-7	28-21	36-10	36-52
No. Of Contacts	35	37	48	52
Contact Size	28#16, 7#12	16	16	16
Service Rating	ABhj=Inst, Bal=A	A	A	A



**INSERT ARRANGEMENTS**

Insert Arrangement	Service Rating	Total Contacts	Contact Size				
			0	4	8	12	16
10S - 2	A	1	-	-	-	-	1
10SL - 3	A	3	-	-	-	-	3
10SL - 4	A	2	-	-	-	-	2
14S - 2	Inst.	4	-	-	-	-	4
14S - 4	D	1	-	-	-	-	1
14S - 5	Inst.	5	-	-	-	-	5
14S - 6	Inst.	6	-	-	-	-	6
14S - 7	A	3	-	-	-	-	3
14S - 9	A	2	-	-	-	-	2
16S - 1	A	7	-	-	-	-	7
16S - 4	D	2	-	-	-	-	2
16S - 5	A	3	-	-	-	-	3
16S - 8	A	5	-	-	-	-	5
16 - 9	A	4	-	-	-	2	2
16 - 10	A	3	-	-	-	3	-
16 - 11	A	2	-	-	-	2	-
16 - 12	A	1	-	1	-	-	-
16 - 13	A	2	-	-	-	2	-
18 - 1	A/Inst.	10	-	-	-	-	10
18 - 3	D	2	-	-	-	2	-
18 - 4	D	4	-	-	-	-	4
18 - 5	D	3	-	-	-	2	1
18 - 8	A	8	-	-	-	1	7
18 - 10	A	4	-	-	-	4	-
18 - 11	A	5	-	-	-	5	-
18 - 12	A	6	-	-	-	-	6
20 - 3	D	3	-	-	-	3	-
20 - 4	D	4	-	-	-	4	-
20 - 7	D/A	8	-	-	-	-	8
20 - 14	D	5	-	-	2	3	-
20 - 15	A	7	-	-	-	7	-
20 - 17	A	6	-	-	-	5	1
20 - 18	A	9	-	-	-	3	6
20 - 19	A	3	-	-	3	-	-
20 - 23	A	2	-	-	2	-	-
20 - 27	A	14	-	-	-	-	14
20 - 29	A	17	-	-	-	-	17
20 - 33	A	11	-	-	-	-	11
22 - 2	D	3	-	-	3	-	-

Insert Arrangement	Service Rating	Total Contacts	Contact Size				
			0	4	8	12	16
22 - 7	E	1	-	-	-	-	1
22 - 9	E	3	-	-	-	3	-
22 - 10	E	4	-	-	-	-	4
22 - 14	A	19	-	-	-	-	19
22 - 18	D/A	8	-	-	-	-	8
22 - 19	A	14	-	-	-	-	14
22 - 20	A	9	-	-	-	-	9
22 - 22	A	4	-	-	4	-	-
22 - 23	D/A	8	-	-	-	8	-
22 - 33	D/A	7	-	-	-	-	7
22 - 34	D	5	-	-	-	3	2
24 - 2	D	7	-	-	-	12	-
24 - 5	A	16	-	-	-	-	16
24 - 9	A	2	-	2	-	-	-
24 - 10	A	7	-	-	7	-	-
24 - 11	A	9	-	-	3	6	-
24 - 12	A	5	-	2	-	3	-
24 - 22	D	4	-	-	4	-	-
24 - 27	E	7	-	-	-	-	7
24 - 28	Inst.	24	-	-	-	-	24
28 - 3	E	3	-	-	3	-	-
28 - 10	D/A	7	-	2	2	3	-
28 - 11	A	22	-	-	-	4	18
28 - 12	A	26	-	-	-	-	26
28 - 15	A	35	-	-	-	-	35
28 - 16	A	20	-	-	-	-	20
28 - 18	C/D/A/Inst.	12	-	-	-	-	12
28 - 20	A	14	-	-	-	10	4
28 - 21	A	37	-	-	-	-	37
28 - 22	D	6	-	3	-	-	3
32 - 4	A/D	14	-	-	-	2	12
32 - 7	A/Inst.	35	-	-	-	7	28
32 - 9	D	14	-	2	-	-	12
32 - 17	D	4	-	4	-	-	-
36 - 5	A	4	4	-	-	-	-
36 - 9	A	31	-	1	2	14	14
36 - 10	A	48	-	-	-	-	48
36 - 52	A	52	-	-	-	-	52

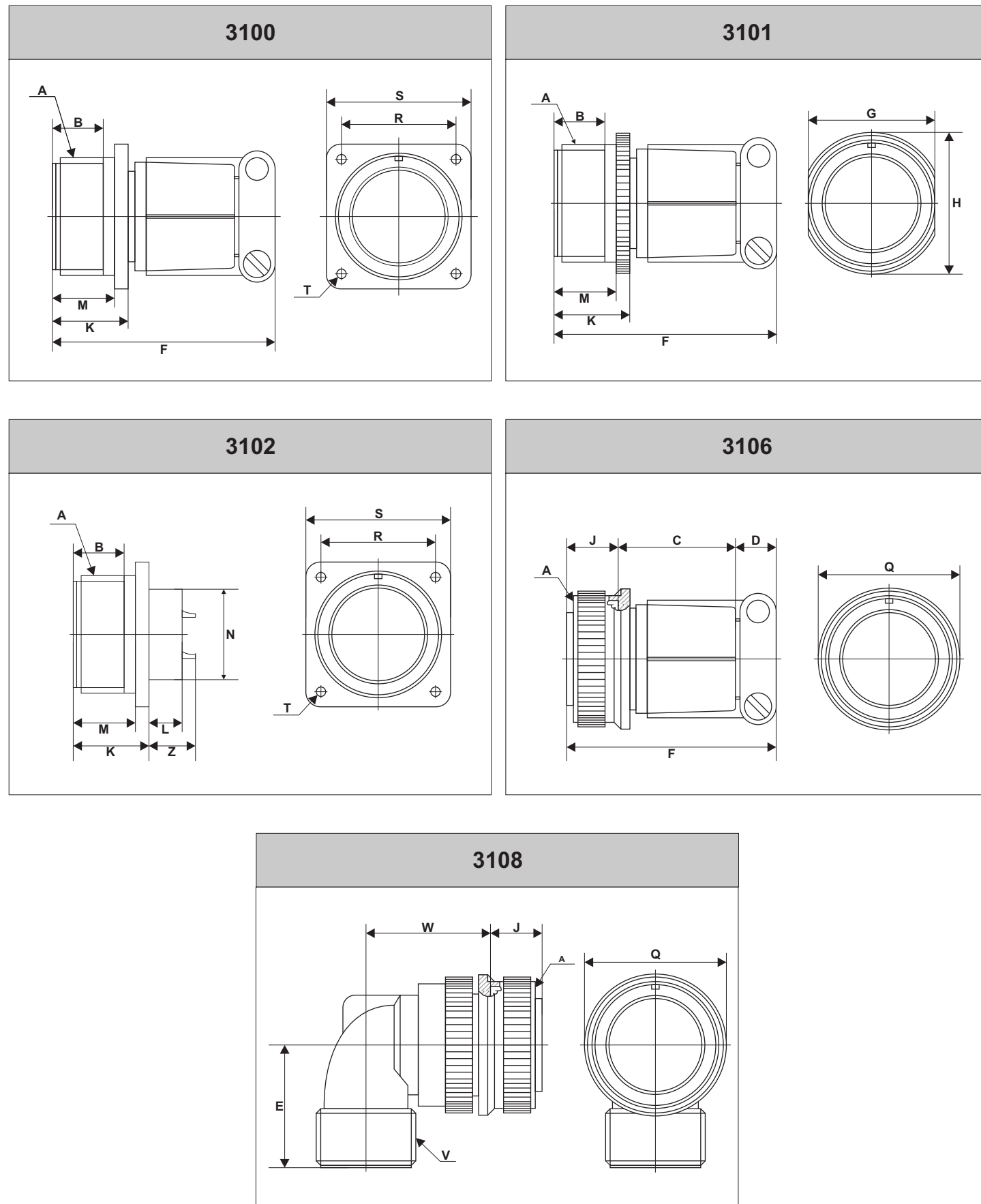


**ALTERNATE INSERT ARRANGEMENTS**

Insert Arrangements				
	W	X	Y	Z
10S - 2	-	-	-	-
10SL - 3	-	-	-	-
10SL - 4	-	-	-	-
14S - 2	-	120	240	-
14S - 4	-	-	-	-
14S - 5	-	110	-	-
14S - 6	-	-	-	-
14S - 7	90	180	270	-
14S - 9	70	145	215	290
16S - 1	80	-	-	280
16S - 4	35	110	250	325
16S - 5	70	145	215	290
16S - 8	-	170	265	-
16 - 9	35	110	250	325
16 - 10	90	180	270	-
16 - 11	35	110	250	325
16 - 12	-	-	-	-
16 - 13	35	110	250	325
18 - 1	70	145	215	290
18 - 3	35	110	250	325
18 - 4	35	110	250	325
18 - 5	80	110	250	280
18 - 8	70	-	-	290
18 - 10	-	120	240	-
18 - 11	-	170	265	-
18 - 12	80	-	-	280
20 - 3	70	145	215	290
20 - 4	45	110	250	-
20 - 7	80	110	250	280
20 - 15	80	-	-	280
20 - 17	90	180	270	-
20 - 19	90	180	270	-
20 - 23	35	110	250	325
20 - 27	35	110	250	325
20 - 29	80	-	-	280
20 - 33	-	-	-	-
22 - 2	70	145	215	290

Insert Arrangements				
	W	X	Y	Z
22 - 7	-	-	-	-
22 - 9	70	145	215	290
22 - 10	35	110	250	325
22 - 14	80	110	250	280
22 - 18	80	110	250	280
22 - 19	80	110	250	280
22 - 20	35	110	250	325
22 - 22	-	110	250	-
22 - 23	35	-	250	-
22 - 33	80	110	250	280
22 - 34	80	110	250	280
24 - 5	80	110	250	280
24 - 9	35	110	250	325
24 - 10	80	-	-	280
24 - 11	35	110	250	325
24 - 12	80	110	250	280
24 - 22	45	110	250	-
24 - 27	80	-	-	280
24 - 28	80	110	250	280
28 - 3	70	145	215	290
28 - 10	80	110	250	280
28 - 11	-	-	-	-
28 - 12	90	180	270	-
28 - 15	80	110	250	280
28 - 16	80	110	250	280
28 - 18	70	145	215	290
28 - 20	80	110	250	280
28 - 21	80	110	250	280
28 - 22	70	145	215	290
32 - 4	80	110	250	280
32 - 7	80	125	235	280
32 - 9	80	110	250	280
32 - 17	45	110	250	-
36 - 9	80	125	235	280
36 - 10	80	125	235	280
36 - 52	72	144	216	288

Circular Threaded Coupling Connectors

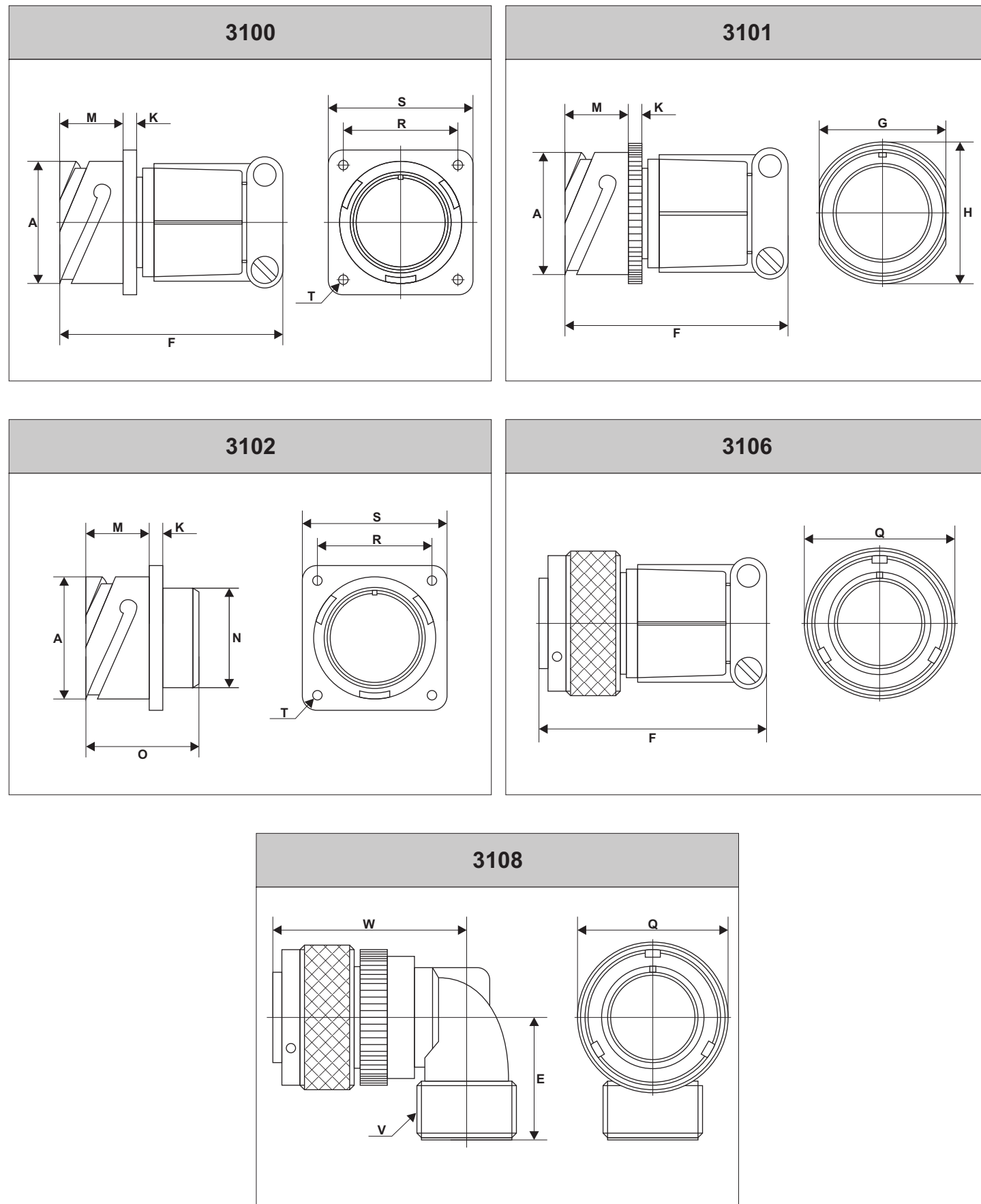


All dimensions are in mm

Shell Size	A Thread in inches	B min.	K +0.50 -0.20	L +0.00 -0.25	R ±0.10	S ±0.80	T +0.20 -0.10	Z +1.20 -1.50	M +0.25 -0.00	C max.
10 SL	5/8 - 24 UNEF	9.90	17.00	7.60	18.25	25.40	3.10	10.70	14.30	33.50
14 S	7/8 - 20 UNEF	11.40	17.00	7.60	23.01	30.20	3.10	10.70	14.30	33.50
16 S	1 - 20 UNEF	11.40	17.00	7.60	24.61	32.50	3.10	10.70	14.30	33.50
16	1 - 20 UNEF	15.90	21.80	12.30	24.61	32.50	3.10	17.00	19.00	36.80
18	1 1/8 - 18 UNEF	15.90	22.60	11.50	27.00	34.90	3.10	16.20	19.00	37.80
20	1 1/4 - 18 UNEF	15.90	22.60	11.50	29.36	38.10	3.10	16.20	19.00	37.80
22	1 3/8 - 18 UNEF	15.90	22.60	11.50	31.75	41.20	3.10	16.20	19.00	37.80
24	1 1/2 - 18 UNEF	15.90	24.20	11.50	34.92	44.40	3.70	14.70	20.60	37.80
28	1 3/4 - 18 UNS	15.90	24.20	11.50	39.67	50.80	3.70	14.70	20.60	37.80
32	2 - 18 UNS	15.90	26.10	11.50	44.45	57.10	4.40	12.70	22.20	40.00
36	2 1/4 - 16 UN	15.90	26.10	11.50	49.22	63.50	4.40	12.70	22.20	40.00

Shell Size	Q	J	N +0.25 -0.00	H max.	W max.	E max.	D max.	V Thread in inches	G max.	F max.
10 SL	24.10	13.50	15.80	22.00	24.10	25.00	16.70	5/8 - 24 UNEF	16.70	63.70
14 S	28.50	13.50	19.00	29.00	25.90	27.00	16.70	3/4 - 20 UNEF	22.60	63.70
16 S	31.75	13.50	22.20	31.00	29.10	28.00	16.70	7/8 - 20 UNEF	25.80	63.70
16	31.75	18.25	22.20	31.00	33.80	28.00	16.70	7/8 - 20 UNEF	25.80	71.75
18	34.10	18.25	25.40	34.00	35.40	31.00	19.80	1 - 20 UNEF	28.90	75.85
20	37.30	18.25	28.55	37.00	40.50	34.00	19.80	1 3/16 - 18 UNEF	32.20	75.85
22	40.50	18.25	31.75	40.00	40.50	34.00	19.80	1 3/16 - 18 UNEF	35.30	75.85
24	43.80	18.25	34.90	44.00	45.30	37.00	19.80	1 7/16 - 18 UNEF	38.50	75.85
28	50.00	18.25	41.25	49.50	45.30	39.00	19.80	1 7/16 - 18 UNEF	44.80	75.85
32	56.10	18.25	48.25	56.00	51.30	45.00	27.80	1 3/4 - 18 UNS	51.20	86.05
36	62.50	18.25	53.95	62.50	54.50	48.00	27.80	2 - 18 UNS	57.50	86.05

Reverse Bayonet Coupling Connectors



All dimensions are in mm

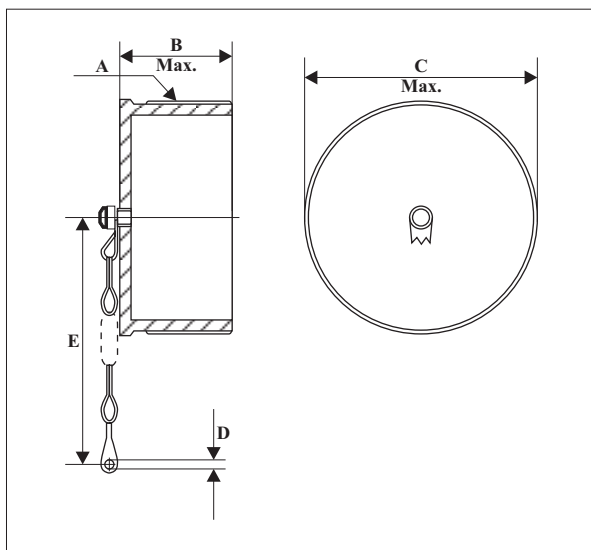
Shell Size	M +0.40 -0.00	K ±0.20	A +0.00 -0.15	R ±0.10	S ±0.30	F max.	T +0.20 -0.10
10 SL	14.20	2.80	18.20	18.20	25.40	63.70	3.10
14 S	14.20	3.20	24.60	23.00	30.00	63.70	3.10
16 S	14.20	3.20	27.40	24.60	32.50	63.70	3.10
16	19.00	3.20	27.40	24.60	32.50	71.75	3.10
18	19.00	4.00	30.80	27.00	35.00	75.85	3.10
20	19.00	4.00	34.20	29.40	38.00	75.85	3.10
22	19.00	4.00	37.40	31.80	41.00	75.85	3.10
24	20.60	4.00	40.90	34.90	44.50	75.85	3.70
28	20.60	4.00	46.70	39.70	50.80	75.85	3.70
32	22.20	4.00	53.40	44.50	57.00	86.05	4.40
36	22.20	4.00	59.60	49.20	63.50	86.05	4.40

Shell Size	O ±0.30	Q max.	E max.	N +0.25 -0.00	W max.	G max.	H max.	V Thread in inches
10 SL	24.70	24.10	25.00	15.80	38.00	16.70	22.00	5/8 - 24 UNEF
14 S	24.70	28.50	27.00	19.00	39.50	22.60	29.00	3/4 - 20 UNEF
16 S	24.70	31.75	28.00	22.20	43.00	25.80	31.00	7/8 - 20 UNEF
16	33.80	31.75	28.00	22.20	52.50	25.80	31.00	7/8 - 20 UNEF
18	34.50	34.10	31.00	25.40	54.00	28.90	34.00	1 - 20 UNEF
20	34.50	37.30	34.00	28.55	59.00	32.20	37.00	1 3/16 - 18 UNEF
22	34.50	40.50	34.00	31.75	59.00	35.30	40.00	1 3/16 - 18 UNEF
24	35.70	43.80	37.00	34.90	63.90	38.50	44.00	1 7/16 - 18 UNEF
28	35.70	50.00	39.00	41.25	63.90	44.80	49.50	1 7/16 - 18 UNEF
32	37.30	56.10	45.00	48.25	70.00	51.20	56.00	1 3/4 - 18 UNS
36	37.30	62.50	48.00	53.95	73.00	57.50	62.50	2 - 18 UNS



**Protective Cap**

Have external threads and are meant to protect plugs.

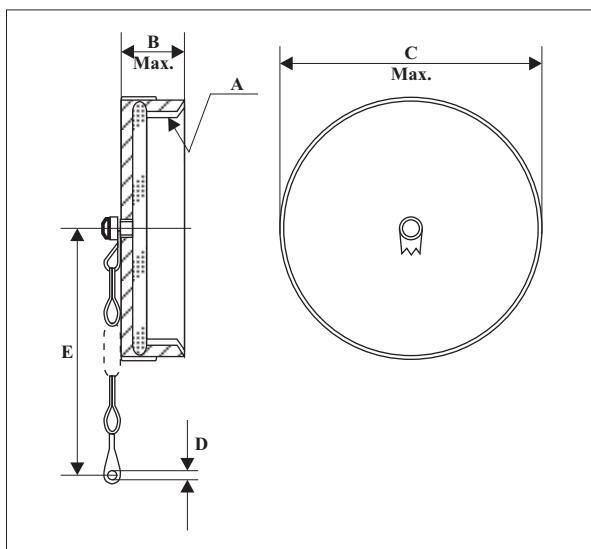


All dimensions are in mm

MS P/N	Shell size	A Thread	B	C	D	E
25042 - 10D	10 SL	5/8 - 24	16.60	17.40	4.00	102.00
25042 - 14D	14 S	7/8 - 20	21.40	23.70	4.00	115.00
25042 - 16D	16, 16S	1 - 20	21.40	26.90	4.00	115.00
25042 - 18D	18	1 1/8 - 18	21.40	30.00	4.00	115.00
25042 - 20D	20	1 1/4 - 18	21.40	33.00	4.80	127.00
25042 - 22D	22	1 3/8 - 18	21.40	36.40	4.80	127.00
25042 - 24D	24	1 1/2 - 18	21.40	39.60	4.80	140.00
25042 - 28D	28	1 3/4 - 18	21.40	46.00	4.80	197.00
25042 - 32D	32	2 - 18	21.40	52.00	5.60	197.00
25042 - 36D	36	2 1/4 - 16	21.40	58.70	5.60	197.00

**Protective Cap**

Have internal threads and are meant to protect receptacles.

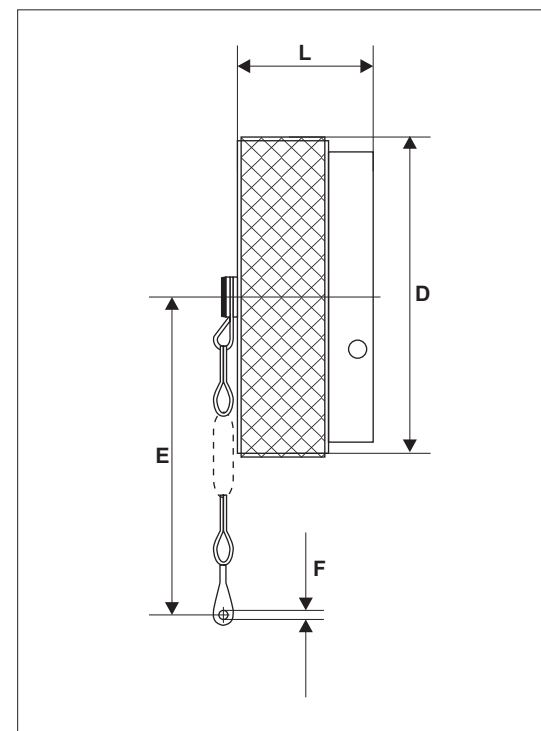


All dimensions are in mm

MS P/N	Shell size	A Thread	B	C	D	E
25043 - 10D	10 SL	5/8 - 24	11.90	20.70	3.60	102.00
25043 - 14D	14, 14 S	7/8 - 20	11.90	28.60	3.60	115.00
25043 - 16D	16, 16S	1 - 20	11.90	30.20	3.60	115.00
25043 - 18D	18	1 1/8 - 18	11.90	34.10	3.60	115.00
25043 - 20D	20	1 1/4 - 18	11.90	37.30	4.40	127.00
25043 - 22D	22	1 3/8 - 18	11.90	40.40	4.40	127.00
25043 - 24D	24	1 1/2 - 18	11.90	43.60	4.40	140.00
25043 - 28D	28	1 3/4 - 18	13.50	50.00	4.40	197.00
25043 - 32D	32	2 - 18	13.50	56.30	4.80	197.00
25043 - 36D	36	2 1/4 - 16	13.50	62.70	4.80	197.00

**Protective Cap**

Meant to protect reverse bayonet receptacles.

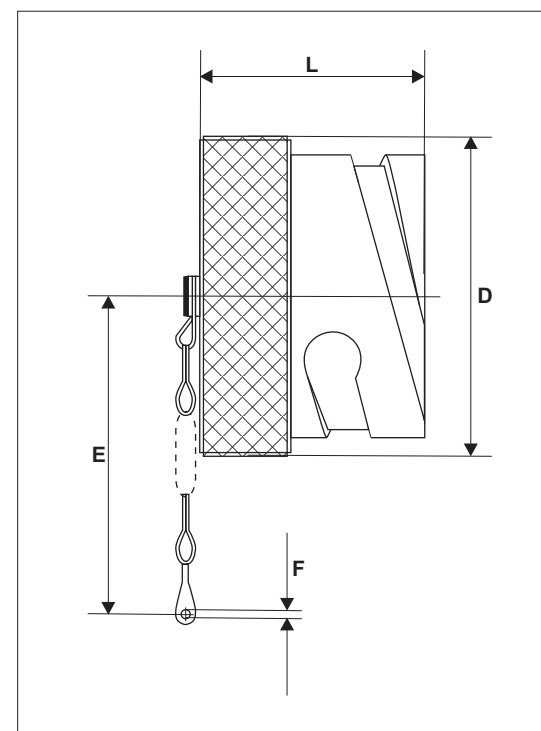


All dimensions are in mm

Cap P/N	Shell size	D	F	L	E
RB 02 - 10SL	10 SL	23.00	4.20	15.50	108.00
RB 02 - 14S	14 S	30.00	4.20	15.50	108.00
RB 02 - 16S	16S	32.50	4.20	15.50	108.00
RB 02 - 16	16	32.50	4.20	21.20	123.00
RB 02 - 18	18	37.00	4.20	21.20	123.00
RB 02 - 20	20	40.50	4.70	21.20	123.00
RB 02 - 22	22	43.50	4.70	21.20	123.00
RB 02 - 24	24	47.00	4.70	21.20	123.00
RB 02 - 28	28	54.00	5.60	21.20	206.00
RB 02 - 32	32	60.50	5.60	21.20	206.00
RB 02 - 36	36	67.00	5.60	21.20	206.00

**Protective Cap**

Meant to protect reverse bayonet plugs.



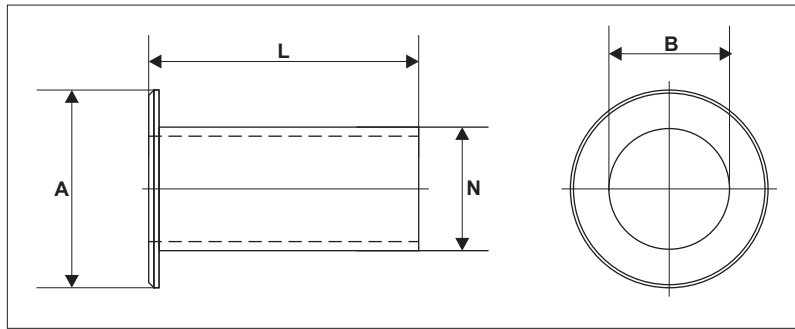
All dimensions are in mm

Cap P/N	Shell size	D	F	L	E
RB 06 - 10SL	10 SL	23.00	4.20	24.00	108.00
RB 06 - 14S	14 S	30.00	4.20	24.00	123.00
RB 06 - 16S	16S	32.50	4.20	24.00	123.00
RB 06 - 16	16	32.50	4.70	33.00	123.00
RB 06 - 18	18	37.00	4.70	39.00	123.00
RB 06 - 20	20	40.50	4.70	33.00	138.00
RB 06 - 22	22	43.50	4.70	33.00	138.00
RB 06 - 24	24	47.00	4.70	44.00	138.00
RB 06 - 28	28	54.00	5.60	33.00	206.00
RB 06 - 32	32	60.00	5.60	33.00	206.00
RB 06 - 36	36	67.00	5.60	46.00	206.00



### Telescoping Bushing

Made in Neoprene is meant to keep dirt, oil and moisture out of endbell. Combinations of bushings may be used to reduce cable entry diameter.

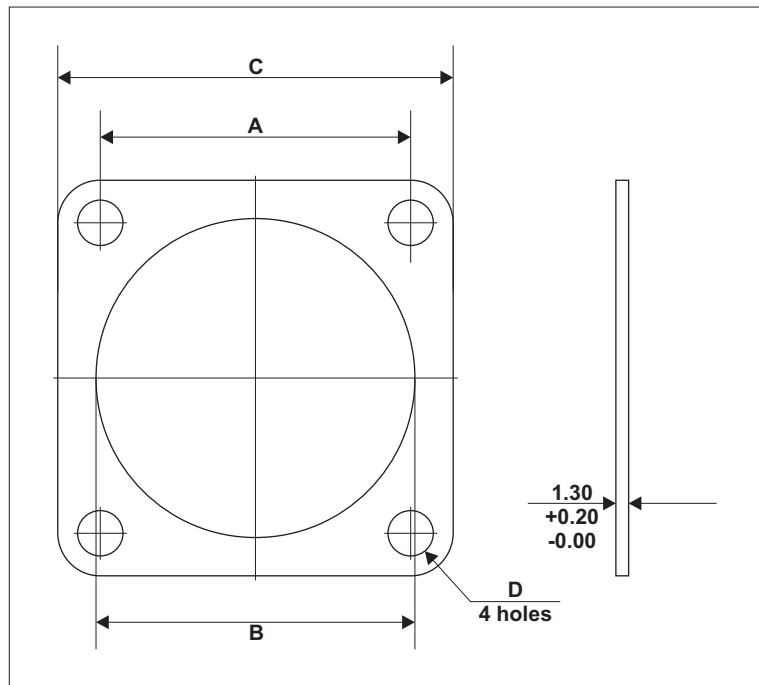


All dimensions are in mm

MS P/N	Shell size	A	B	L	N
3420 - 4	10SL	12.80	5.58	69.80	7.67
3420 - 6	14, 14S	15.70	7.92	66.80	10.84
3420 - 8	16, 16S	18.80	11.09	63.50	14.02
3420 - 10	18	22.00	14.27	60.30	15.62
3420 - 12	20, 22	27.00	15.87	57.10	18.79
3420 - 16	24, 28	33.30	19.05	53.90	23.54
3420 - 20	32	40.50	23.79	50.80	31.49
3420 - 24	36	46.90	31.75	47.60	34.67

### Square Gasket

Flat gasket, made in Neoprene, is provided to take complete advantage of waterproof and pressure sealing features. It is used with flange mounted receptacle.



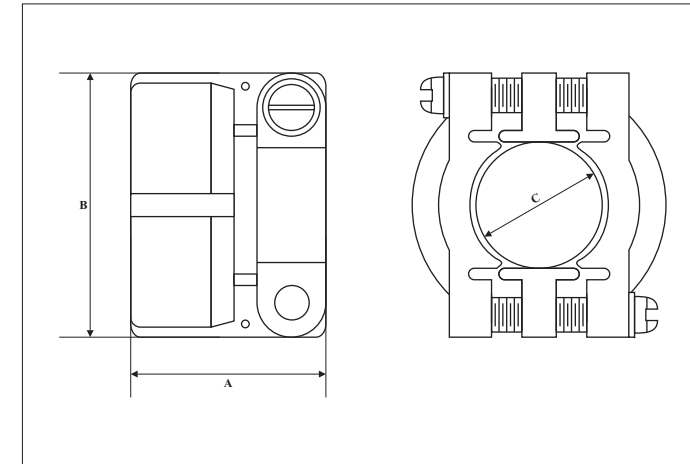
All dimensions are in mm

Shell size	A	B	C	D
	$\pm 0.20$	$+0.40$ $-0.00$	$+0.40$ $-0.00$	$\pm 0.20$
10SL	18.26	15.90	25.40	4.35
14, 14S	23.01	22.20	30.15	4.35
16, 16S	24.61	25.40	32.50	4.35
18	27.00	28.57	34.90	5.15
20	29.36	31.75	38.10	5.15
22	31.75	34.90	41.20	5.15
24	34.90	38.10	44.45	5.15
28	39.70	44.45	50.80	5.15
32	44.45	50.80	57.15	5.55
36	49.22	55.57	63.50	5.55



### Cable Clamp - 3057

These back shell accessories can be used with both threaded and bayonet connectors.



All dimensions are in mm

MS P/N	Shell size	Thread in inches	A	B	C
3057 - 4A	10SL	5/8 - 24	20.90	21.60	8.00
3057 - 6A	14, 14S	3/4 - 20	21.60	25.70	11.20
3057 - 8A	16, 16S	7/8 - 20	23.40	28.50	14.40
3057 - 10A	18	1 - 20	23.40	31.00	15.70
3057 - 12A	20, 22	1 3/16 - 18	23.70	35.80	19.00
3057 - 16A	24, 28	1 7/16 - 18	25.90	42.90	23.80
3057 - 20A	32	1 3/4 - 18	28.30	51.00	32.00
3057 - 24A	36	2 - 18	29.50	57.50	35.00



**Ordering Information**

**JI 3102 R 22 - 19 P W - XXX ± SQG**  
**1 2 3 4 5 6 7 8 9**

**1. Prefix**

- JI** - Threaded type
- RB** - Reverse Bayonet type
- JI-R** - Threaded type - ROHS compliant
- RB-R** - Reverse Bayonet type - ROHS compliant

**2. Shell Style**

- 3100** - Wall Mounting Receptacle
- 3101** - Cable Connector Receptacle
- 3102** - Box Mounting Receptacle
- 3106** - Cable Connecting Straight Plug
- 3108** - Right Angle Plug

**3. Backshells**

- A** - Non Environmental Solid backshell
- E** - Environmental resistance, with integral cable clamp
- F** - Environmental resistance, with integral cable clamp & 'O' ring seal
- R** - Backshell not included
- EB** - Endbell with cable clamp
- PGXX** - Adapter with PG gland (XX indicates PG Gland Size)

**4. Shell Size**

10SL, 14S, 16S, 16, 18, 20, 22, 24, 28, 32, 36

**5. Insert Arrangements**

Refer pages 6 - 10

**6. Contact Type**

- P** - Plug
- S** - Socket

**7. Alternate Insert Positions**

Refer page 11

**8. Modifications**

**Pin Modifications**

Omit for Standard (Silver Plated Solder Pins)

- C.10** - Silver Plated Crimp Pins
- C.15** - Gold Plated Solder Pins
- C.20** - Gold Plated Crimp Pins
- C.25** - Nickel Plated Pins with Screw terminations
- C.30** - Silver Plated Pins with PCB termination
- C.35** - Gold Plated Pins with PCB termination

**Plating Modifications**

Omit for Standard (Cadmium with Olive Drab Chromate)

- S.10** - Electrolytic Nickel Plating
- S.15** - Black Anodized
- S.20** - Zinc with Olive Drab Chromate Finish

**9. Accesories**

- TB** - Telescoping Bushing
- SQG** - Square Gasket
- C & C** - Cap & Chain
- 3057** - MS 3057 Cable Clamp

